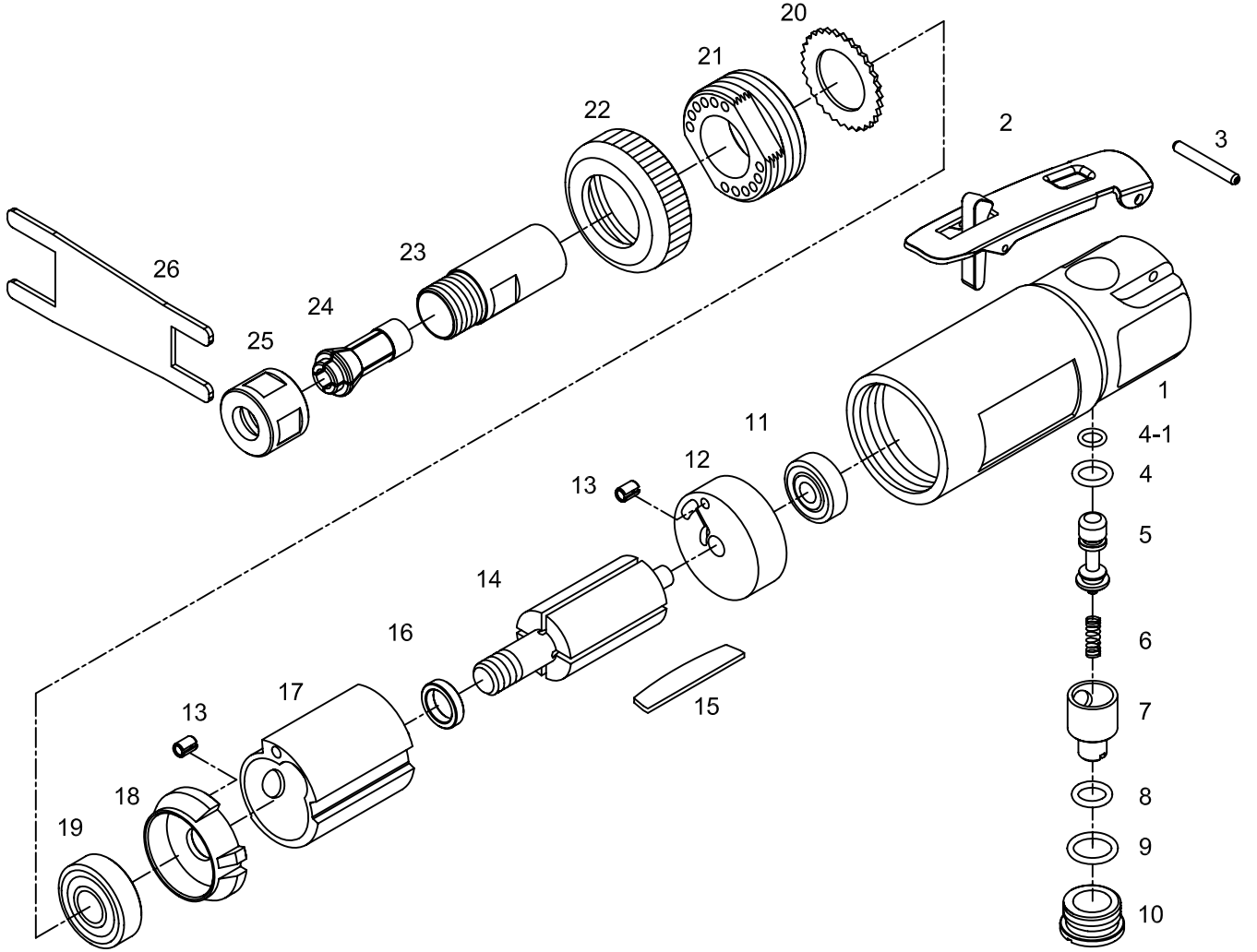


OS-308XP **GAV** HAVALI KALIPÇI TAŞLAMA



INDEX NO.	PARTS NO.	DESCRIPTION	Q'TY	INDEX NO.	PARTS NO.	DESCRIPTION	Q'TY
1	308001	Motor Housing Assembly	1	16	308016	Front Roter Bearing Spacer	1
2	308002	Throttle Lever Assembly	1	17	308017	Cylinder	1
3	308003	Throttle Lever Pin	1	18	308018	Front End Plate	1
4	308004	Throttle Valve O-ring	1	19	308019	Ball Bearing	1
4-1	308004-1	Throttle Valve O-ring	1	20	308020	Exhaust Deflector	1
5	308005	Throttle Valve Assembly	1	21	308021	Motor Clamp	1
6	308006	Throttle Valve Spring	1	22	308022	Housing Cap	1
7	308007	Air Regulator	1	23	308023	Spindle	1
8	308008	Air Regulator O-ring	1	24	308024	1/4"Collet (6mm)	1
9	308009	Valve Cap O-ring	1	25	308025	Collet Nut	1
10	308010	Throttle Valve Cap	1	26	308026	Collet Wrench	2
11	308011	Ball Bearing	1				
12	308012	Rear End Plate	1				
13	308013	End Plate Dowel	2				
14	308014	Rotor	1				
15	308015	Blade	4				